

PROTIME[®]



ELR-1 Series Relay

ELR-1

Special Features

- Relays with Auto/Manual Reset, & test facility.
- Wireless interiors makes it highly rugged & error proof.
- Possible to use with DC aux. supply for protection systems.
- High accuracy standards calibrated with +/-5% Accuracy.
- Wide range available.

Technical Data

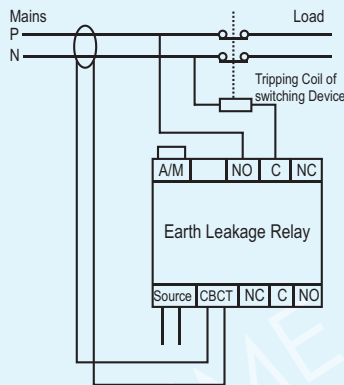
- | | |
|-------------------------------|--|
| 1) supply Voltage | - AC-110V,230V,380V,415V
DC-12V,24V |
| 2) Permissible supply Voltage | - + 20%, - 25% |
| 3) Output Contacts | - Two change over (potential free) |
| 4) Switching duty | - 6A resistive at 250V AC or 24V DC |
| 5) Electrical Life | - 10 ⁵ operation at designed switching duty |
| 6) Relay Status | - De-energised in normal conditions |
| 7) Signal | - From core balanced current transformer (CBCT) |
| 8) Range | - A = 30-300mA, B= 50-500mA
C = 0.1 - 1A ,D= 0.3-3A
E = 0.5-5A |
| 9) Time Delay | - 0 - 10Sec |
| 10) Mounting | - on any standard mounting channel |
| 11) Reset | - User selectable Auto/Manual Reset |
| 12) Approximate Weight | - 150gm |

OPERATION:

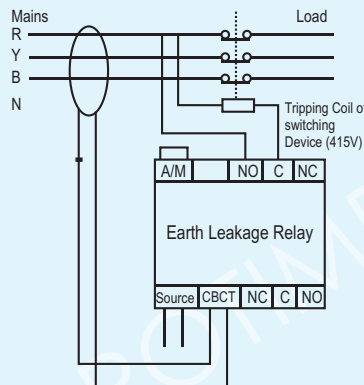
The relay senses the Earth leakage current for any equipments like L. T. Panels, Switch boards, Generators, Transformers, Motors etc. These leakage current if continues can cause insulation breakdown resulting Earth fault, which results in to loss of life or damage to equipment. The PROTIME Earth leakage relay senses leakage current through CBCT & energise relay when current goes out of the range selected on the dip switches. The Relays are provided with user settable (0 - 8 Sec) time delay. The CBCT is connected externally with the Busbar or cable carrying load current passed through it.

Connection Details

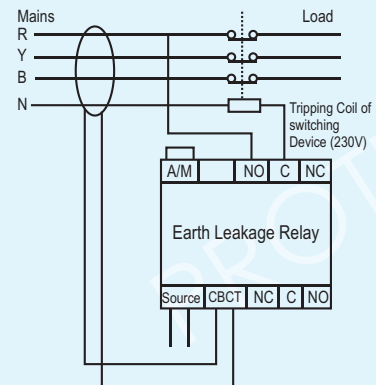
ELR in Single Phase System



ELR in Three Phase(3 wire) System



ELR in Three Phase (4 wire) System



How To Order ELR?

Ordering Pattern-

ELR96-1/i - S - C - 30S - 5

Series

ELR-1 : Earth Leakage Relays in channel mounting Enclosure

Terminals

S - Screw type terminals
C - Cage type terminals (Screwless)

Current Range

A-30mA to 300mA
B-50mA to 500mA
C-100mA to 1A
D-300mA to 3A
E-500mA to 5A

Time Range

10s-upto-10 secs.
30s- " -30 secs.
60s- " -60 secs.

Supply

1-110V AC
2-230V AC
3-380V AC
4-415V AC
5-12 V DC
6-24V DC