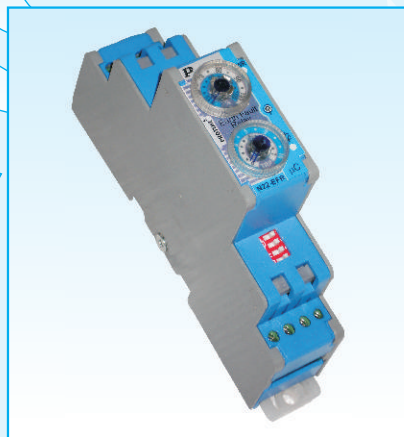


PROTIME®



N22 Series Relay

Special Features

- Most compact yet ultra flexible protection relays
- Micro controller based True RMS Measurement
- Two Tripping ranges in one unit
- Two Time delay ranges in one unit
- User selectable Normal/Fail safe Modes
- User selectable Auto/Manual Reset
- Wide power supply range from 90-270V AC/DC

Technical Data

- | | |
|------------------------|--|
| 1) Supply Voltage | - 90-270V AC/DC |
| 2) Output Contacts | - one change over (potential free) |
| 3) Switching duty | - 6A resistive at 250V AC or 24V DC |
| 4) Electrical Life | - 10 ⁵ operation at designed switching duty |
| 5) Relay Status | - Normal = De-energised in normal conditions
Fail Safe = De-energised in fault conditions |
| 6) Signal | - From CBCT |
| 7) Ranges | - A = 25 - 250mA/50 - 500mA
B = 0.1 - 1A/0.2 - 2A
C = 0.4 - 4A/0.4 - 4A |
| 8) Time Delays | - 0.1 - 1 Sec / 1 - 10Sec |
| 9) Reset | - User selectable Auto/Manual Reset |
| 10) Mounting | - Din channel |
| 11) Approximate Weight | - 100gm |
| 12) Dimension | - 22.5mm(W) X 110(D) X 73.5mm(H) |

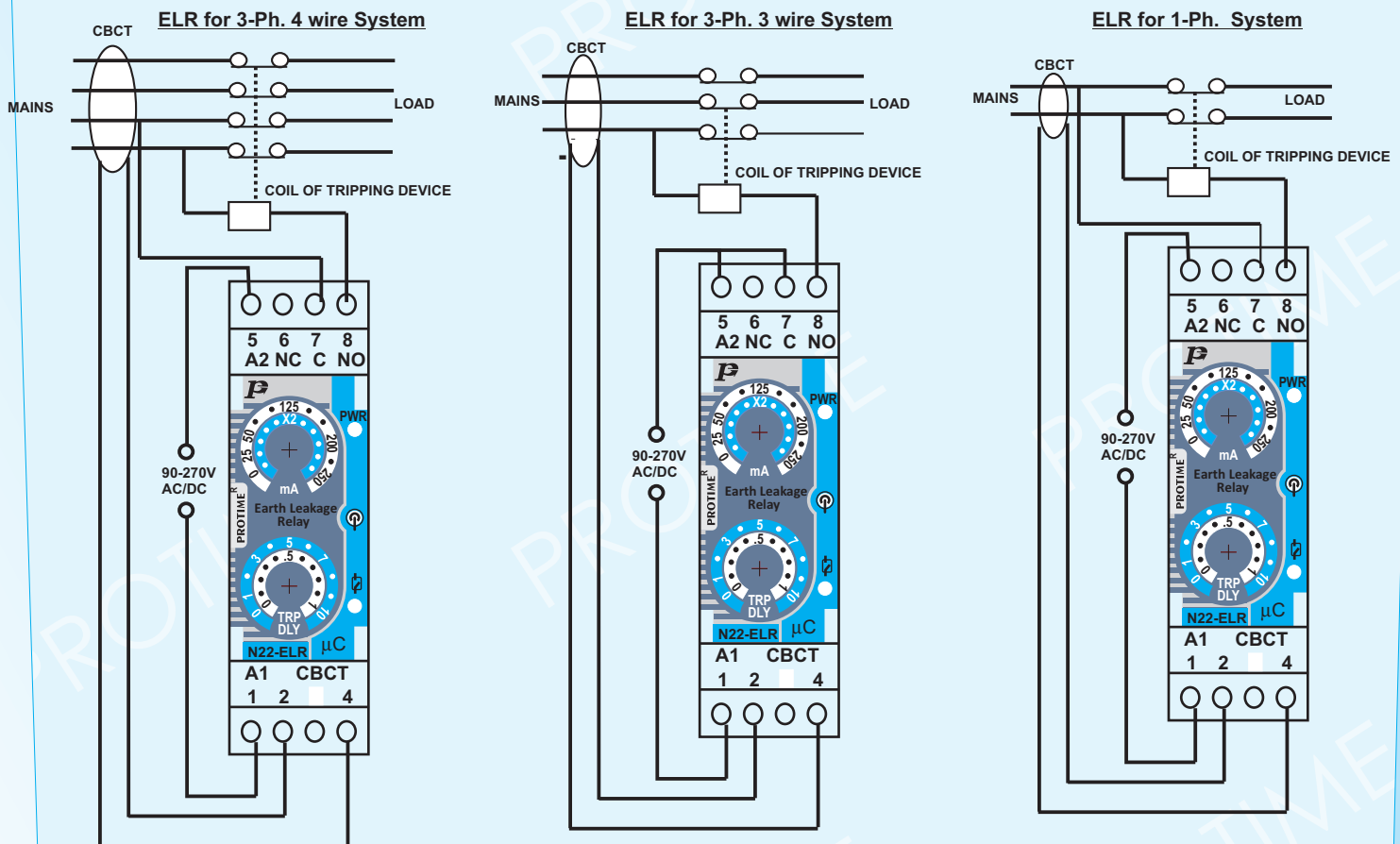
Applications:

Distribution Panel Boards
Motors / Pump Panel Board
Generators
Transformers etc.

OPERATION:

PROTIME's N22-ELR senses the Earth leakage current through CBCT. These leakage current if continues, can cause insulation breakdown resulting Earth fault, which results in to loss of life or damage to equipment. N22-ELR energises / deenergises an internal relay based on Mode of operation selected by user (i.e. Normal or Fail Safe) when Leakage current goes out of the range selected on the dial. N22-Earth Leakage Relays are provided with user selectable two Tripping Ranges, and also two Time delay ranges in one unit. The CBCT is connected externally with the Busbar or cable carrying load current passed through it.

Connection Details:



HOW TO ORDER ?

Ordering Pattern (example)- **N22-ELR-A**

N22-ELR - A

Code

Tripping Range

A-25mA - 250mA / 50mA-500mA

B-0.1A - 1A / 0.2 - 2A

C-0.4A - 4A / 0.8-8A