

PROTIME[®]



N96 Series Relay

VR96-1



Special Features

- Most Simple Voltage Relay
- Aesthetically elegant and compact.
- Wireless interiors.
- Settings by DIP switches
- Test & Auto/Manual Reset facility.
- CE marked relays

Technical Data

- | | |
|-------------------------------|--|
| 1) supply Voltage | - AC-110V,230V,380V,415V / DC-12V,24V |
| 2) Permissible supply Voltage | - + 15%, - 15% |
| 3) Output Contacts | - Two change over (potential free) |
| 4) Switching duty | - 6A resistive at 250V AC or 24V DC |
| 5) Electrical Life | - 10 ⁵ operation at designed switching duty |
| 6) Relay Status | - De-energised in normal conditions |
| 7) Signal | 240V AC/415V AC/12V DC/24V DC/110VDC |
| 8) Range | - UV = 70-95%
OV = 105-120% |
| 9) Time Delay | - 0 - 10Sec |
| 10) Mounting | - Panel Mounting (FLUSH) CUTOUT=92 X 92mm |
| 11) Reset | - User selectable Auto/Manual Reset |
| 12) Approximate Weight | - 170gm |
| 13) Dimension | - 96mm(W) X 96(H) X 80mm(D) |
| 14) ENCLOSURE: | - ABS Type = N96 |
| 15) Operating Temp & RH: | -10°C, +55°C up to 80% |

OPERATION:

The 1ph./2ph. voltage relay monitors the voltage signal (to be connected at sensing point) when the signal goes out of the range selected on the dial, the status of relay will change. The relays are available with or without time delays. In case of relays with time delay 'SET' LED will glow when voltage signal goes out of the range selected. The relay will energise after delay & is also indicated by 'RLY' LED.

The 'Test' button provides facility to stimulate the fault condition & thus checks the system tripping.

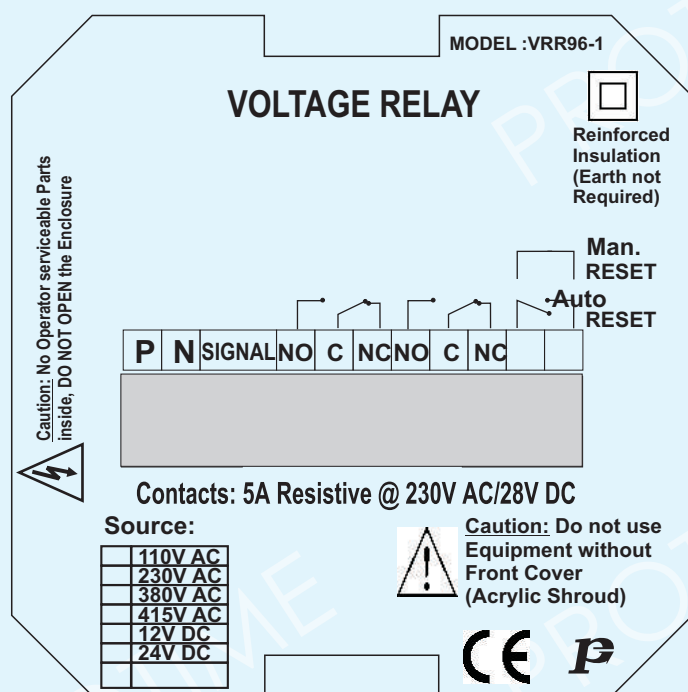
The 'Reset' button provides manually resetting the relay. When link between A/M terminals is connected.

Auto/ Manual Reset:

MANUAL RESET: Connect link between Auto/Man terminals.

AUTOMATIC RESET: Open the link between Auto/Man terminals.

Connection Details



How To Order VR?

Ordering Pattern-

VR96-1 - - S - R - 30S - 5

Series

V96-1: 1-Phase
VR96-2: 2-Phase

Terminals

S - Screw type terminals

Voltage Range

A-10 -100%
B-50 -100%

Time Range

10s-upto-10 secs.
30s- " -30 secs.
60s- " -60 secs.

Aux. Supply

1-110V AC
2-230V AC
3-380V AC
4-415V AC
5-12 V DC
6-24V DC